



UNIVERSAL

ABUTMENT SYSTEM

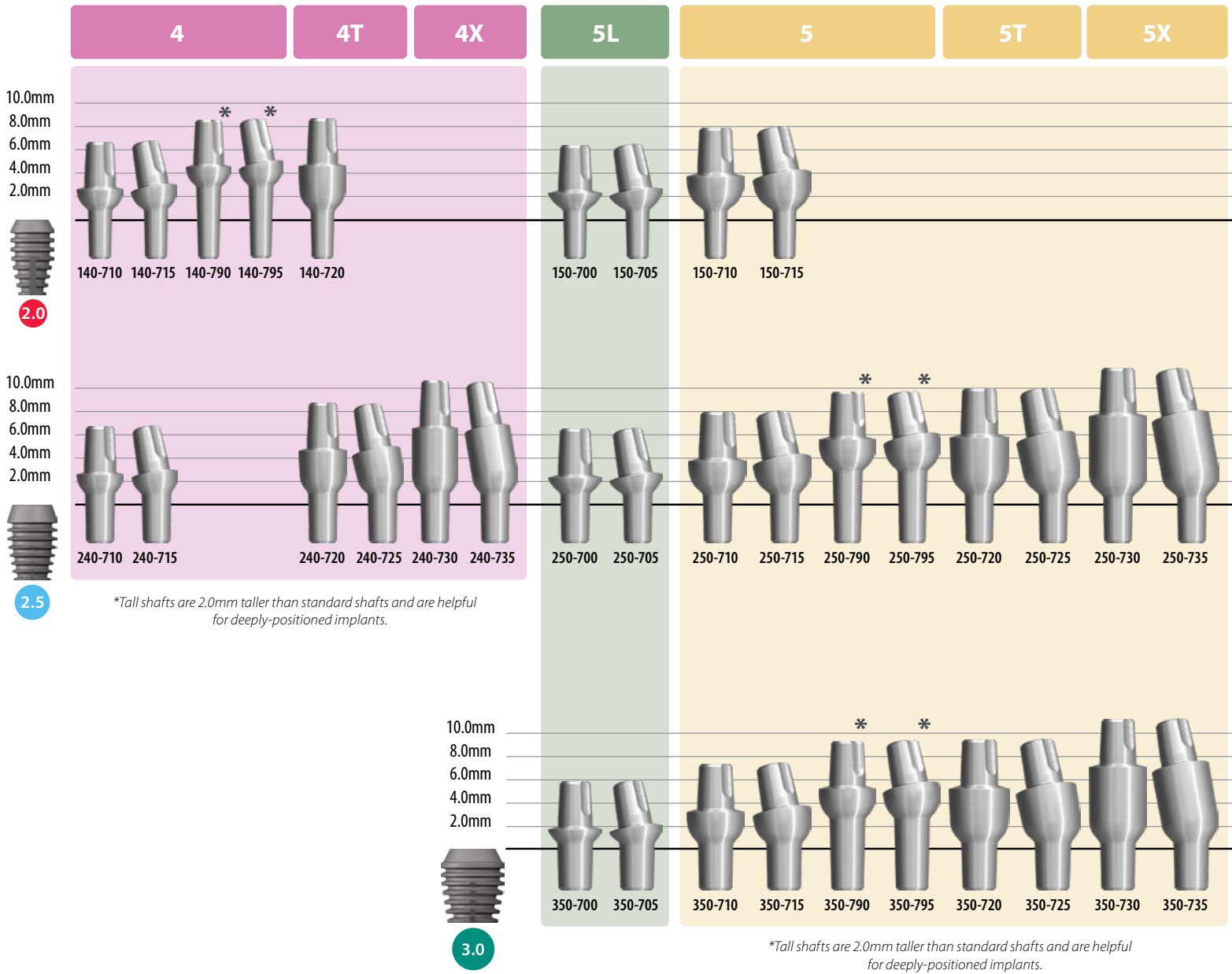


*"The ideal abutment for both conventional
and digital restorations."*

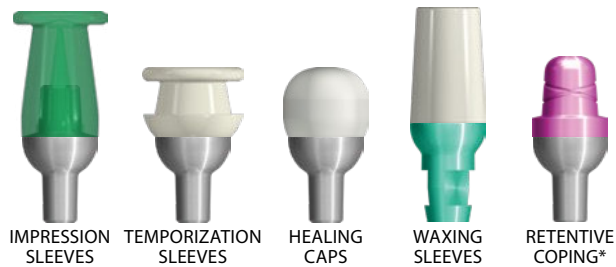
UNIVERSAL ABUTMENT SYSTEM

4 SERIES

5 SERIES

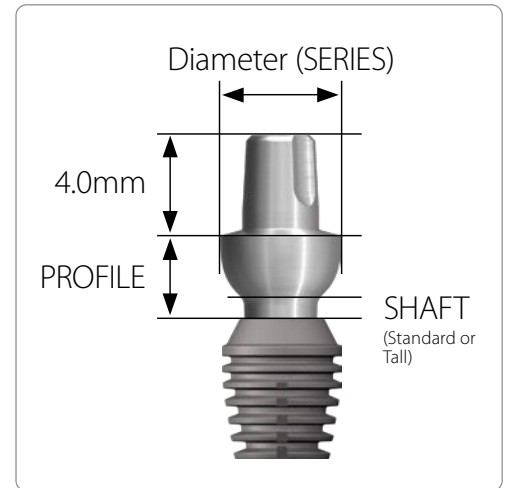
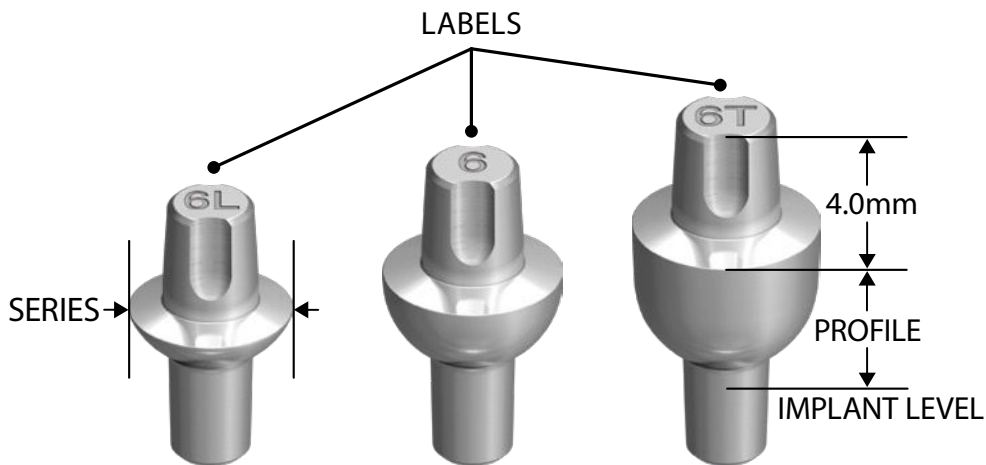


PROSTHETIC COMPONENTS



**Coping only available for the 5-Series Universal Abutments.*

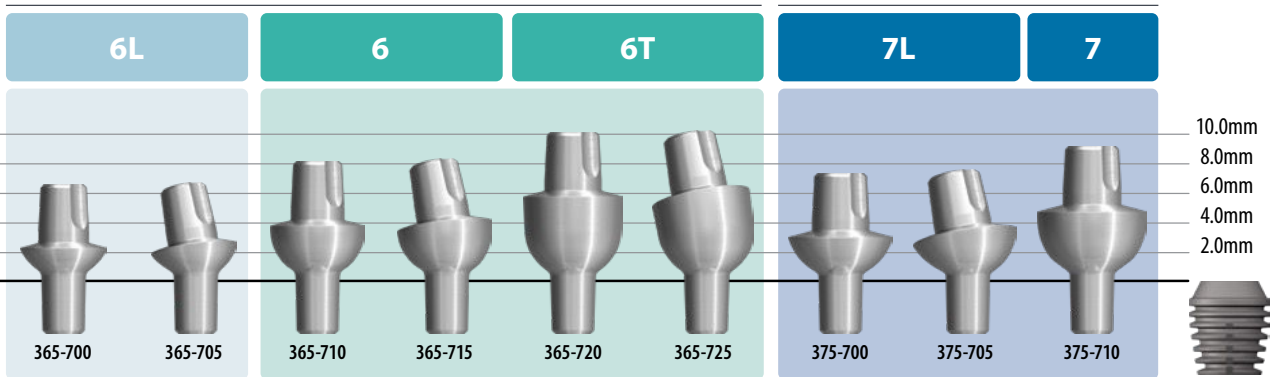
NOTE: All part numbers begin with the prefix "260-"



SERIES AND PROFILE LABEL ON ABUTMENT				
SERIES	LOW (L)	STANDARD	TALL (T)	EXTRA-TALL (X)
4		4	4T	4X
5	5L	5	5T	5X
6	6L	6	6T	
7	7L	7		

6 SERIES

7 SERIES



3.0

ABUTMENT TRANSFER DIES



NOTE: All part numbers begin with the prefix "260-"

UNIVERSAL ABUTMENTS



Ideal for all restorations including extra-orally cemented crowns and TRINIA® restorations.



Designed with four profiles while maintaining the integrity of the prosthetic portion and hemispherical base.



Individually labelled indicating series and profile. Abutment geometry facilitates efficient and accurate digital scanning.



Available as part of digital libraries for use with leading CAD/CAM systems.



Healing cap to preserve the emergence profile and to provide patient comfort.



Color-coded prosthetic sleeves for impression making and temporization procedures.



Color-coded transfer dies to facilitate proper die selection.



Retentive copings for telescopic restorations.