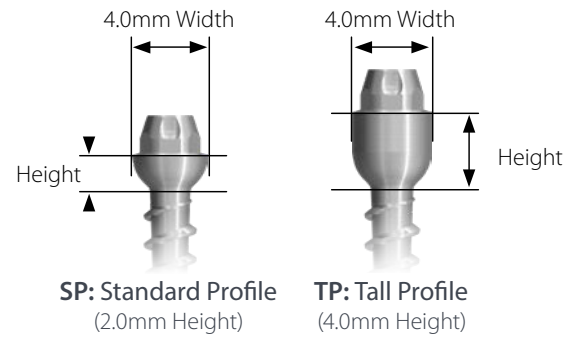
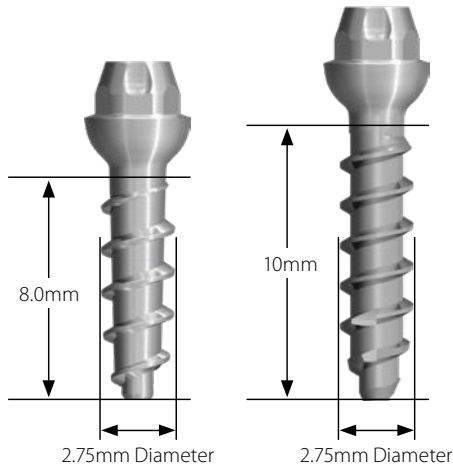




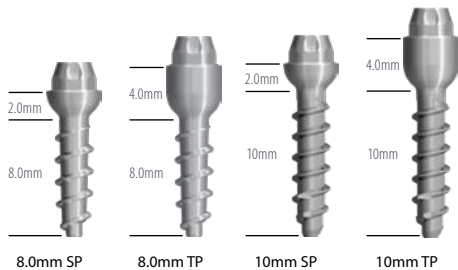
# FIXED-DETACHABLE TRANSITIONAL IMPLANTS



*“Immediate loading and passive prosthetics with  
intra-orally cemented screw-retained copings.”*



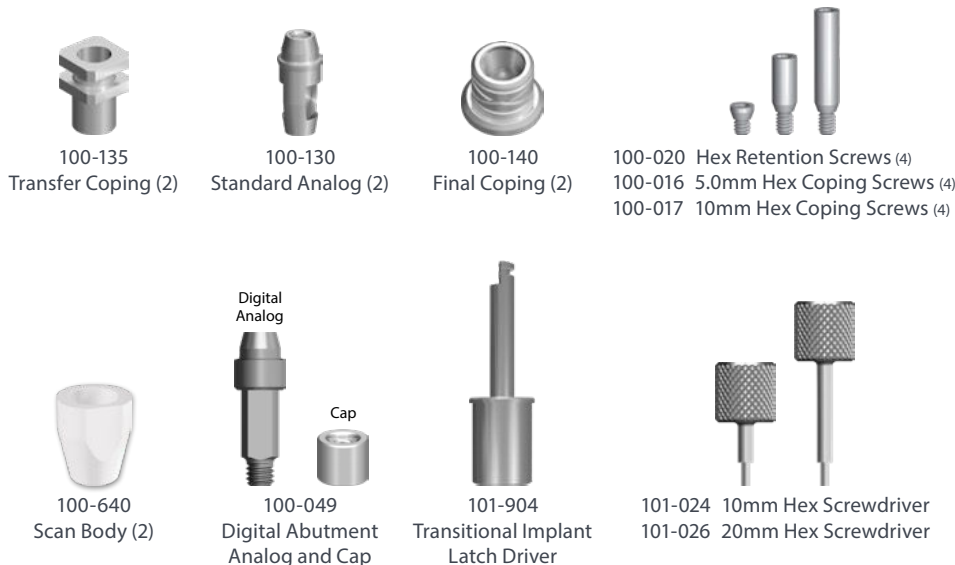
**Fixed-Detachable Transitional Implants**



SP: Standard Profile TP: Tall Profile

Part No.	Diameter	Length	Height
425-318	2.75mm	8.0mm	SP (2.0mm)
425-328	2.75mm	8.0mm	TP (4.0mm)
425-310	2.75mm	10mm	SP (2.0mm)
425-320	2.75mm	10mm	TP (4.0mm)

**Fixed-Detachable Universal Abutment Components**



**Highlights**

Bicon's Fixed-Detachable Transitional Implants provide immediate loading with intra-orally cemented screw-retained copings using the same components as Bicon's Fixed-Detachable Universal Abutments.

- Provides for a fixed prosthesis while permanent implants are healing
- Passively fitting prostheses are ensured with intra-orally cemented screw-retained copings
- Screw-retained copings can be cemented to a variety of materials, such as TRINIA® and PMMA
- Screws and prosthetic components are identical for both the Fixed-Detachable Universal Abutments and Fixed-Detachable Transitional Implants
- Length of screws can be reduced and still be functional

**Material:** Ti6Al4V-ELI

